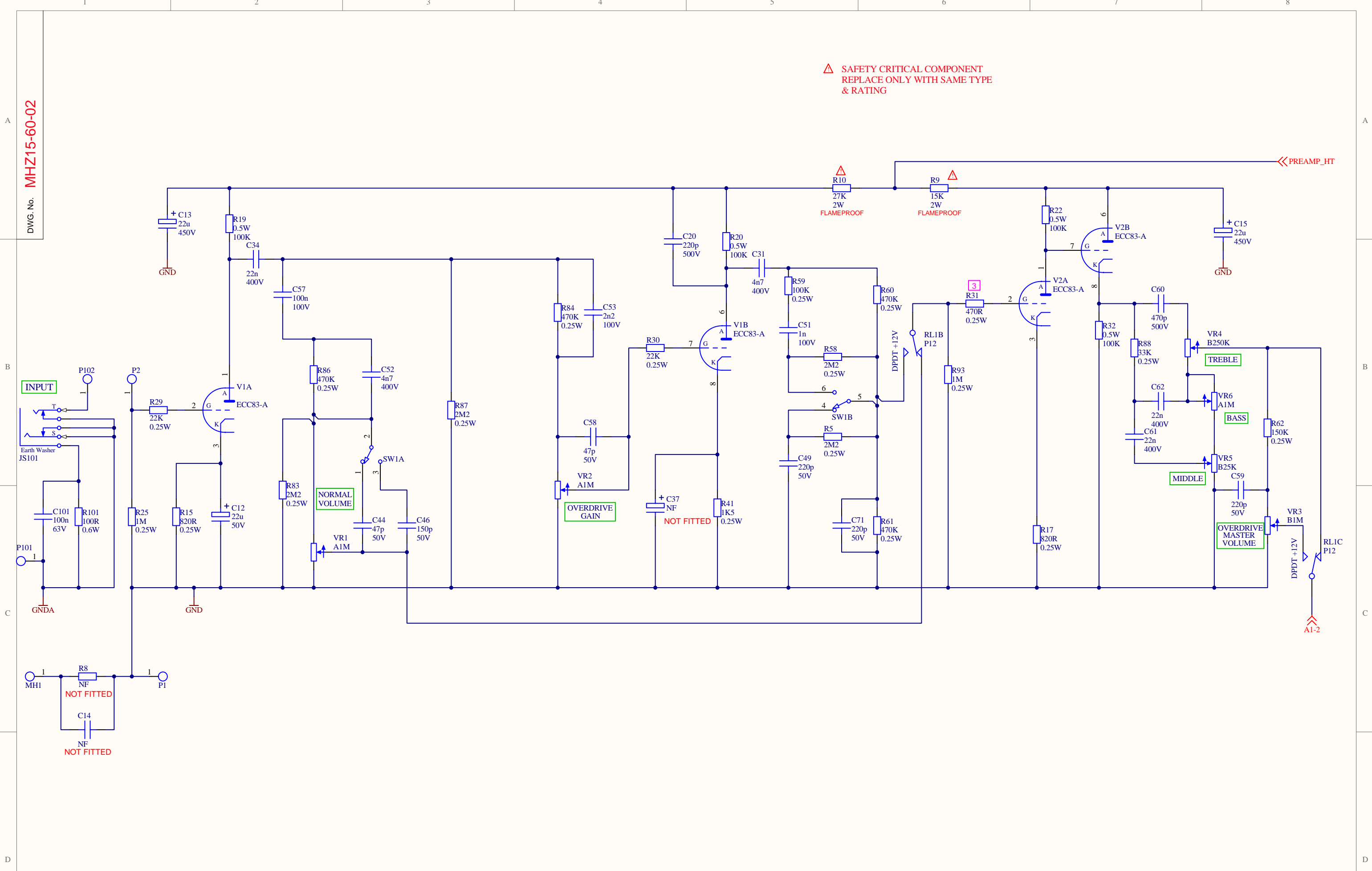


DWG. No. **MHZ15-60-02**

**△ SAFETY CRITICAL COMPONENT
REPLACE ONLY WITH SAME TYPE
& RATING**



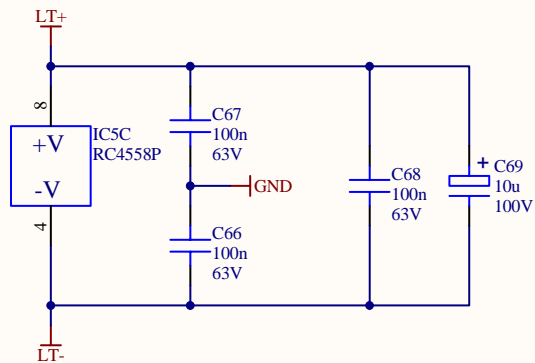
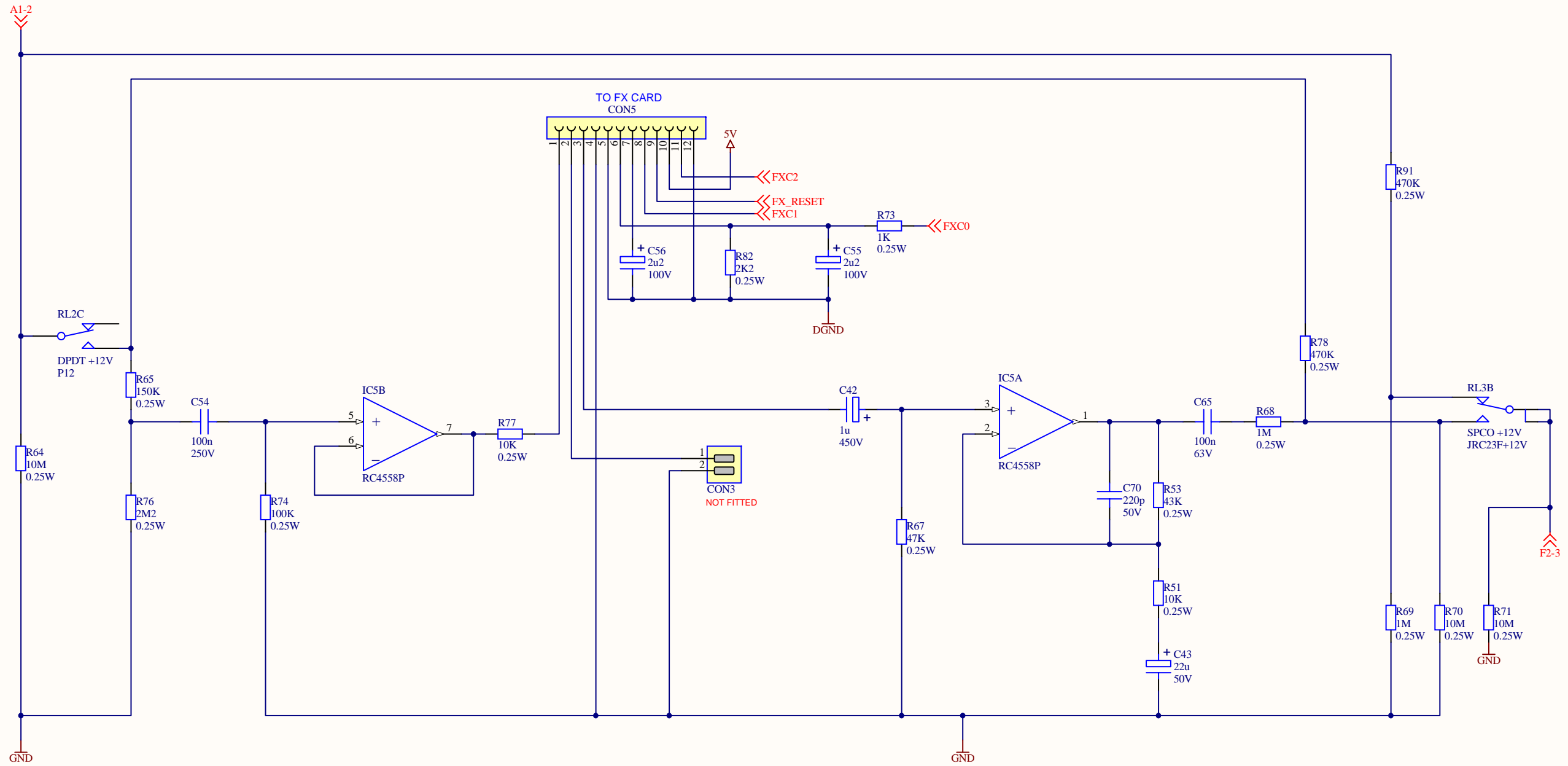
3	3175	26MAY09
2	PRODUCTION	06MAY09
ISS	ECO NUMBER	DATE

MATERIAL		DIMENSIONS IN mm	
MATERIAL THICKNESS		TOLERANCE (UNLESS OTHERWISE STATED)	
DRAWN HG	DATE 02APR08	HOLE DIA = +/- DIMENSIONAL = +/-	
CHECKED JM	DATE 26MAY09	MODEL	
APPROVED JL	DATE 26MAY09	MHZ15	



TITLE		
MHZ15 PCB PRE-AMP		
DWG. No.	ISS	Sheet
MHZ15-60-02	3	1 of 6
Date: 26/05/2009		

File: J:\MD11-15W\MHZ15-60-02-1-ISS3.SchDoc

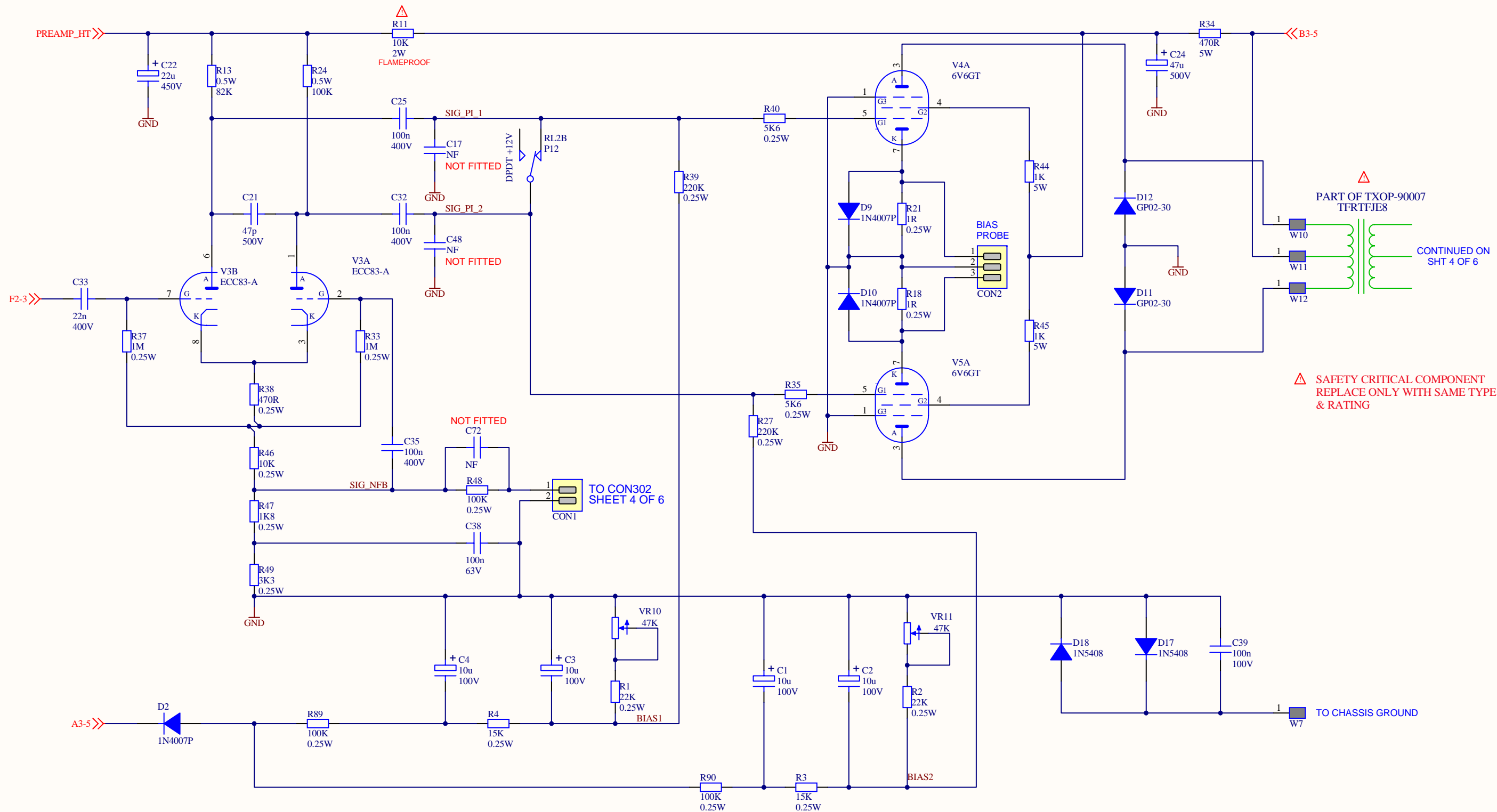


3	3175	26MAY09
2	PRODUCTION	06MAY09
ISS	ECO NUMBER	DATE

MATERIAL		DIMENSIONS IN mm	
MATERIAL THICKNESS		TOLERANCE (UNLESS OTHERWISE STATED)	
DRAWN HG	DATE 02APR08	HOLE DIA = +/-	
CHECKED JM	DATE 26MAY09	DIMENSIONAL = +/-	
APPROVED JL	DATE 26MAY09	MODEL MHZ15	



TITLE MHZ15 PCB FX LOOP		
DWG. No. MHZ15-60-02	ISS 3	Sheet 2 of 6
Date: 26/05/2009		



⚠ SAFETY CRITICAL COMPONENT
REPLACE ONLY WITH SAME TYPE
& RATING

⚠ PART OF TXOP-90007
TFRTFJE8
CONTINUED ON
SHT 4 OF 6

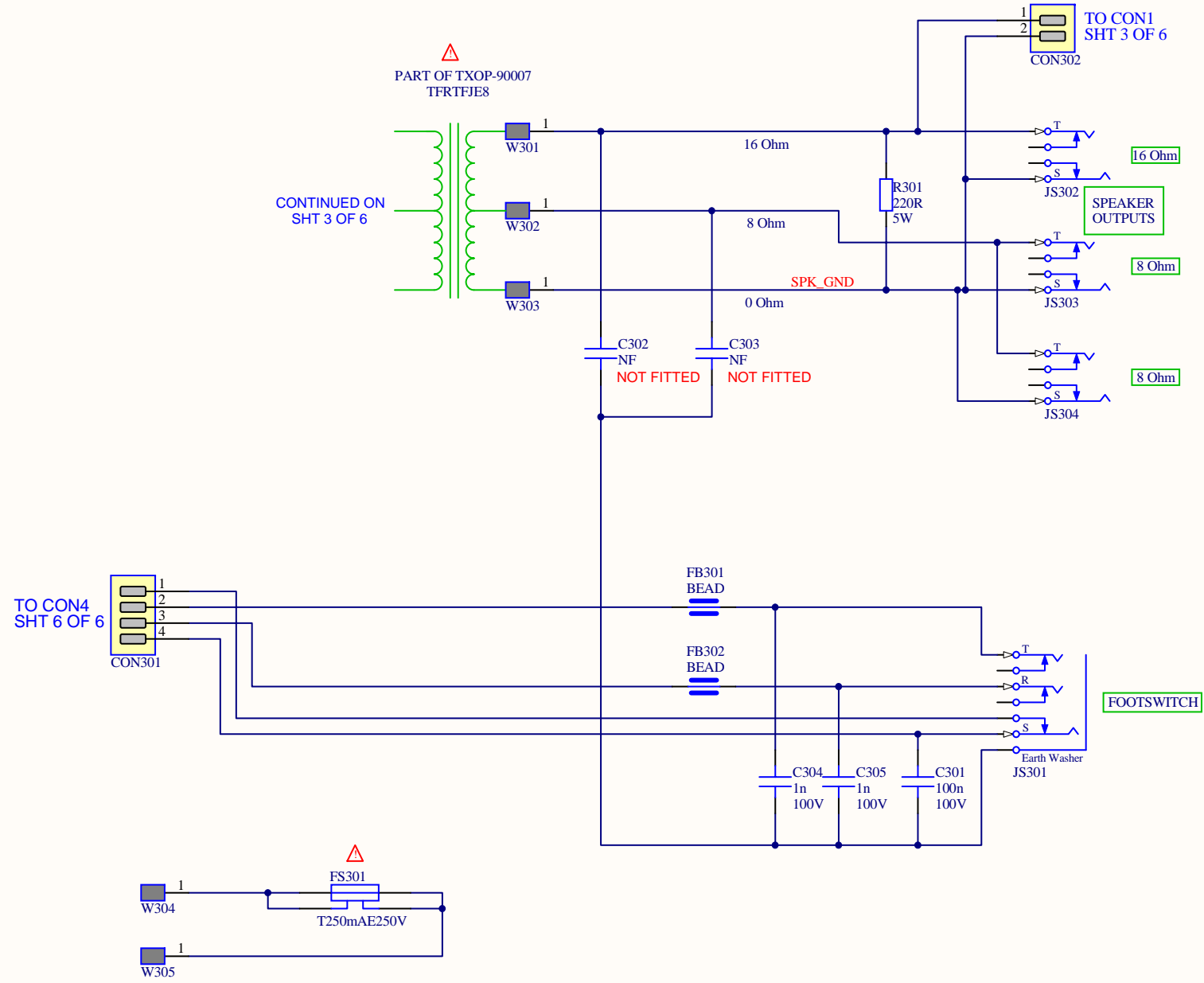
3	3175	26MAY09
2	PRODUCTION	06MAY09
ISS	ECO NUMBER	DATE

MATERIAL		DIMENSIONS IN mm	
MATERIAL THICKNESS		TOLERANCE (UNLESS OTHERWISE STATED)	
DRAWN HG	DATE 02APR08	HOLE DIA = +/- DIMENSIONAL = +/-	
CHECKED JM	DATE 26MAY09	MODEL	
APPROVED JL	DATE 26MAY09	MHZ15	



TITLE MHZ15 PCB POWER AMP		
DWG. No. MHZ15-60-02	ISS 3	Sheet 3 of 6
Date: 26/05/2009		

DWG. No. **MHZ15-60-02**



**⚠ SAFETY CRITICAL COMPONENT
REPLACE ONLY WITH SAME TYPE
& RATING**

3	3175	26MAY09
2	PRODUCTION	06MAY09
ISS	ECO NUMBER	DATE

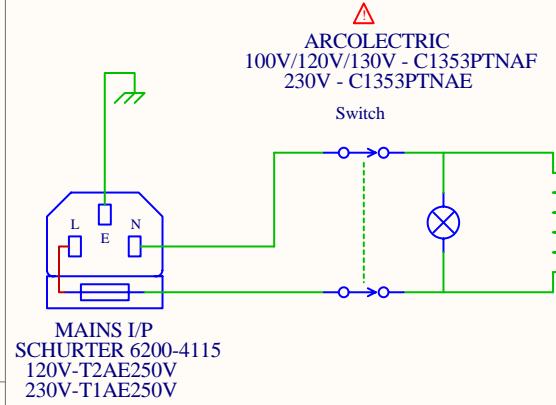
MATERIAL		DIMENSIONS IN mm	
MATERIAL THICKNESS		TOLERANCE (UNLESS OTHERWISE STATED)	
DRAWN HG	DATE 02APR08	HOLE DIA = +/- DIMENSIONAL = +/-	
CHECKED JM	DATE 26MAY09	MODEL	
APPROVED JL	DATE 26MAY09	MHZ15	



TITLE MHZ15 PCB REAR PANEL PCB		
DWG. No. MHZ15-60-02	ISS 3	Sheet 4 of 6
Date: 26/05/2009		

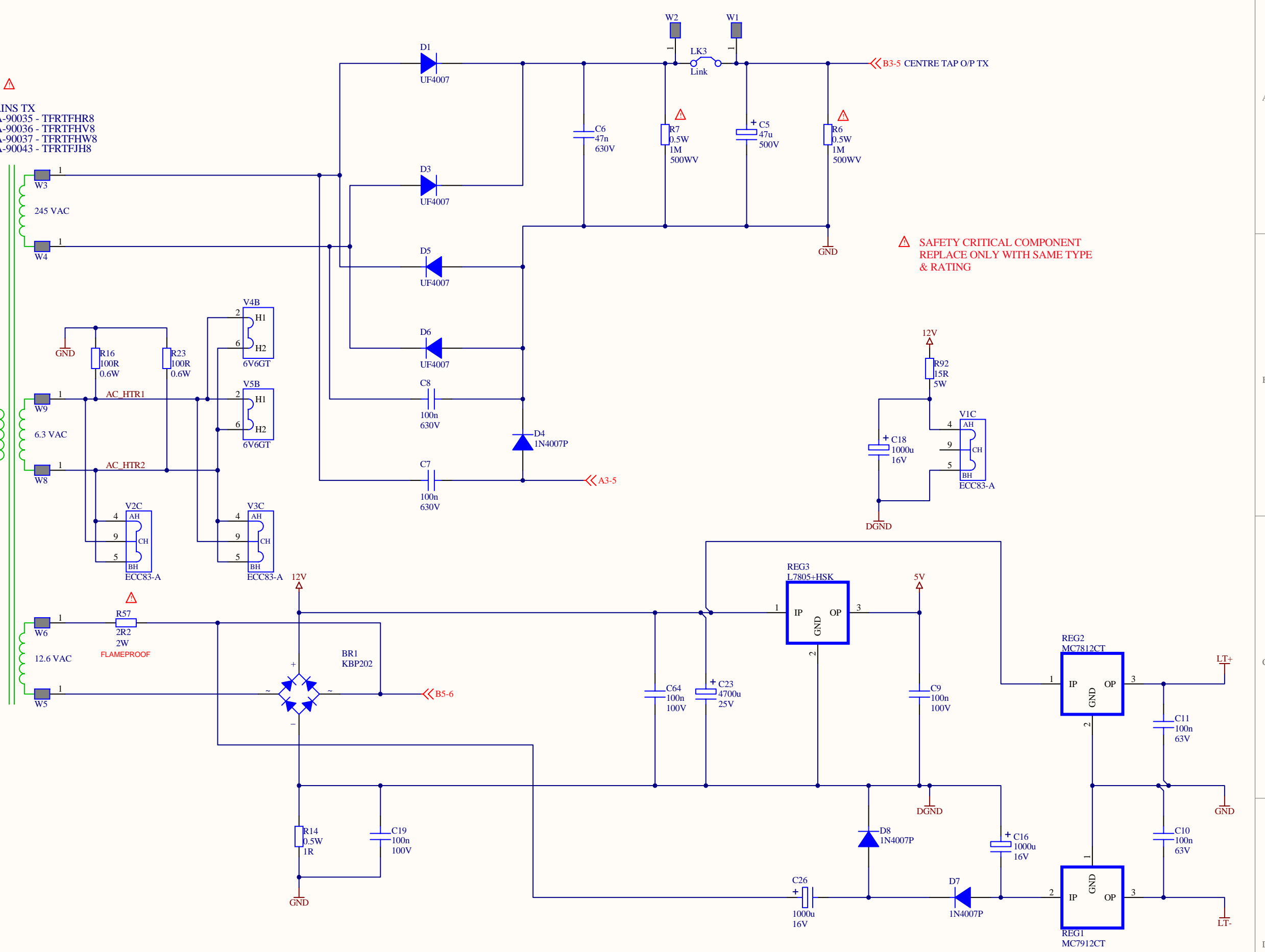
File: J:\MD11-15W\MHZ15-60-02-4-ISS3.SchDoc

MAINS TX
 230V - TXMA-90035 - TFRTFHR8
 120V - TXMA-90036 - TFRTFHV8
 100V - TXMA-90037 - TFRTFHW8
 130V - TXMA-90043 - TFRTFJH8



ARCOLECTRIC
 100V/120V/130V - C1353PTNAF
 230V - C1353PTNAE

Switch



⚠ SAFETY CRITICAL COMPONENT
 REPLACE ONLY WITH SAME TYPE
 & RATING

⚠ SAFETY CRITICAL COMPONENT
 REPLACE ONLY WITH SAME TYPE
 & RATING

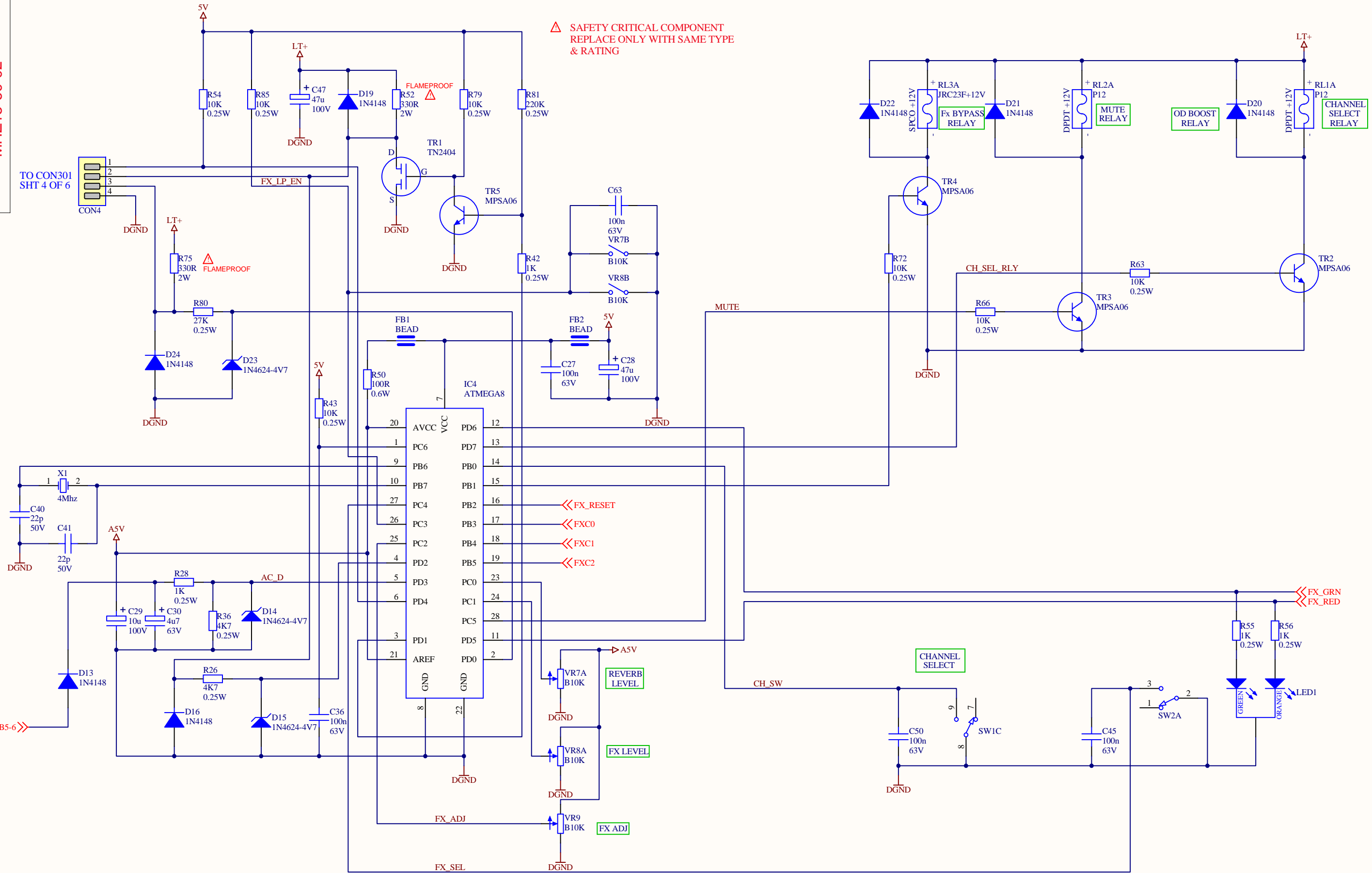
3	3175	26MAY09
2	PRODUCTION	06MAY09
ISS	ECO NUMBER	DATE

MATERIAL		DIMENSIONS IN mm	
MATERIAL THICKNESS		TOLERANCE (UNLESS OTHERWISE STATED)	
DRAWN HG	DATE 02APR08	HOLE DIA = +/- DIMENSIONAL = +/-	
CHECKED JM	DATE 26MAY09	MODEL	
APPROVED JL	DATE 26MAY09	MHZ15	



TITLE MHZ15 PCB POWER SUPPLY		
DWG. No. MHZ15-60-02	ISS 3	Sheet 5 of 6
Date: 26/05/2009		

DWG. No. MHZ15-60-02



3	3175	26MAY09
2	PRODUCTION	06MAY09
ISS	ECO NUMBER	DATE

MATERIAL		DIMENSIONS IN mm	
MATERIAL THICKNESS		TOLERANCE (UNLESS OTHERWISE STATED)	
DRAWN HG	DATE 02APR08	HOLE DIA = +/-	
CHECKED JM	DATE 26MAY09	DIMENSIONAL = +/-	
APPROVED JL	DATE 26MAY09	MODEL MHZ15	



TITLE MHZ15 PCB DIGITAL		
DWG. No. MHZ15-60-02	ISS 3	Sheet 6 of 6
Date: 26/05/2009		

File: J:\MD11-15W\MHZ15-60-02-6-ISS3.SchDoc