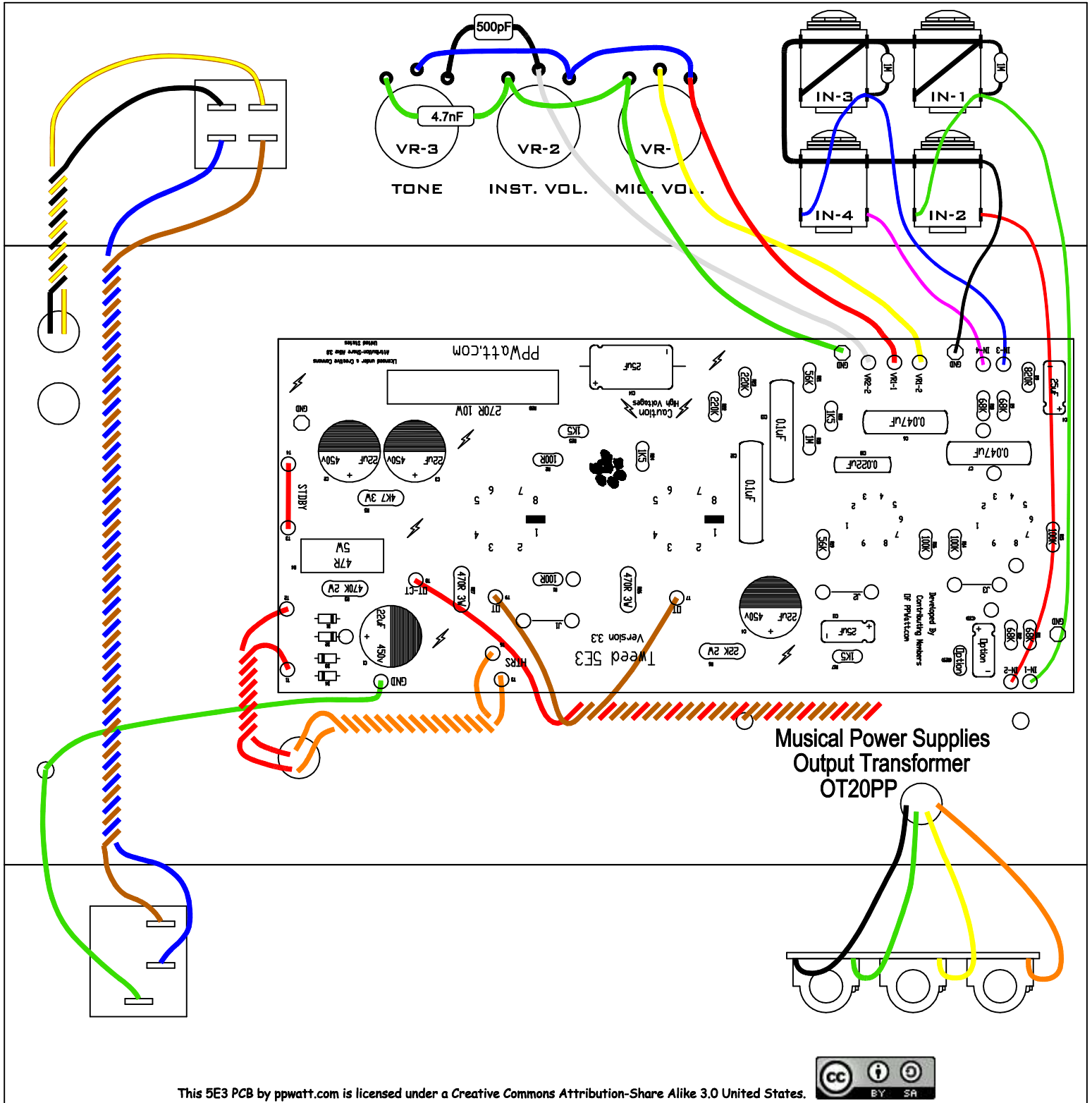


PPWatt.com (Public Domain) Valve Junior V2 & v3 Chassis

Tweed 5E3 PCB Chassis Layout



This 5E3 PCB by ppwatt.com is licensed under a Creative Commons Attribution-Share Alike 3.0 United States.

